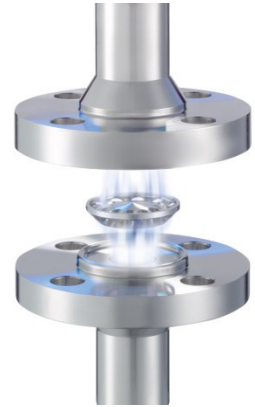


# Installation and Maintenance Manual NEUMO BioFlow Check Valve

**Type VC – Body Seal ConnectS®**  
**Type HVC – Body Seal ConnectS®**



## 1. Please read this manual carefully

NEUMO BioFlow check valves must be utilized, installed and repaired in compliance with this installation and maintenance manual only.

Observe all applicable rules and operational regulations.

In case of a leakage or damage, call certified service technician.

Further operation may result in system failure or general hazard.

Prior to maintenance, please make sure to have the system unpressurized ahead of and behind the valve.

## 2. Description

The valve types VC and TCVC are check valves designed for vertical installation.

Type HVC is designed for horizontal installation.

All models are characterized by a simple construction allowing the flow of a medium in one direction and reflow in the other.

The valves consist of the following components:

- 1.) Upper housing (VC) / Lid (HVC)
- 2.) Lower housing (VC) / Body (HVC)
- 3.) Flowstop
- 4.) Screws
- 5.) Nuts (VC)

All product contacted areas are made of 1.4404 / 14435 (316L). Product contacted surfaces have a surface finish of  $Ra < 0,8\mu m$  and are additionally electropolished (further surface finishes available on request).

### **3. Specified Normal Operation**

NEUMO BioFlow check valve types VC and HVC are permitted for gas and fluid applications, up to an operational pressure of 16 bar (232 psi, pressure rating PN 16).

The chemical compatibility of the medium with the EPDM seal (Flowstop) and the stainless steel alloy 1.4404 / 1.4435 has to be ensured.

The valves may also be utilized in steam applications up to 150°C (302°F).

### **4.0 Description**

The valves are designed without spring. The flow direction must correspond to the direction of the arrow engraved in the housing.

#### **4.1 Welding Instructions**

When welding the valves into the tube system, care must be taken that the Flowstop seal is protected against the resulting heat build-up.

In order to prevent any damage of the seal caused by the resulting heat build-up, the Flowstop (3.) should be removed during the welding operation. Please refer to point 6.1 for a detailed description of the components' removal.

#### **4.2 Check Valve Type VC**

The valves must be built into a vertical, rising tube in order to ensure safe functioning. The force of gravity supports the valve's closing.

#### **4.3 Check Valve Type HVC**

The valves must be built into a horizontal tube, lid facing upwards, to ensure a safe functioning.

### **5. Function**

On reaching an initial pressure of 0,02 bar (0,3 psi) the valve opens automatically and enables the flow. With increasing pressure, the valve opens continually until fully open. During the pressure and flow increase the differential pressure in the valve may change. This may not occur proportionally to the pressure / flow increase.

The maximum differential pressure is 0,2 bar (3 psi) on full flow capacity.

When reducing the differential pressure the Flowstop sinks down toward the valve seat until a differential pressure of less than 0,02 bar (0.3 psi) is attained. The closing prevents a reflow of the medium against the actual product flow.

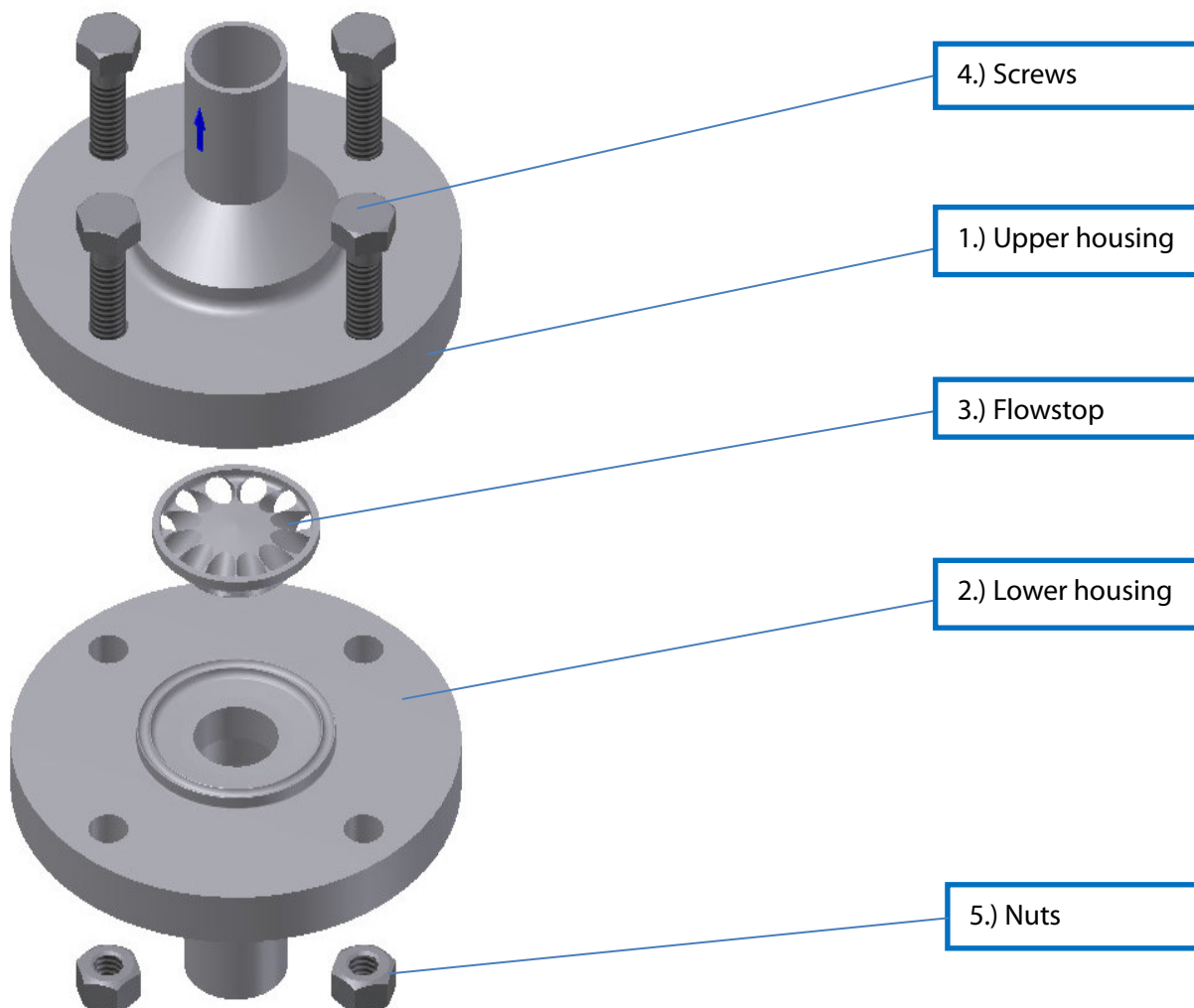
## 6.0 Maintenance

It usually does not become necessary to service the valve. When using a Flowstop with vulcanized seal: Should the Flowstop seal become damaged or show signs of tear and wear and/or leakage, the entire Flowstop should be replaced.

### 6.1 Disassembly / Assembly

Loosen and remove screws (5.) from nuts (6.) as soon as the tube system is without pressure. Then remove lid or upper housing. (1.). We point out that the housing's exposed sealing areas must be protected from damages at any time. Following that, remove Flowstop (3.) and replace as required. Ensure that the Flowstop's (3.) sealing faces down when placed on the valve seat. Place lid or upper housing (1.). Assemble screws (5.) and nuts (6.) and tighten crosswise.

## NEUMO BioFlow Check Valves Type VC – Body Seal ConnectS®



## **NEUMO BioFlow Check Valves** **Type HVC – Body Seal ConnectS®**

