



NEUMO CleanClip

**Adaptive Pipe Hangers
for Hygienic Applications**

Discover more inside!

CleanClip - NP / NPF / NPM / NPR / NPC

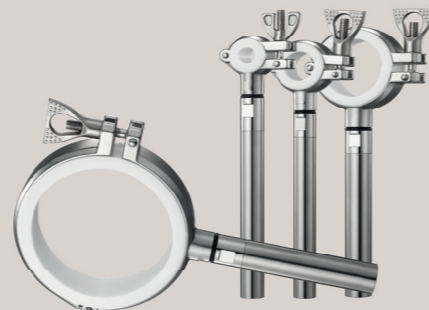
| Types | Clamp only | Clamp & Shaft | | |
|---------------------|-------------------------------|---------------|---------------|---------|
| | | Fixed | Adaptive | |
| | | | Rotation 360° | Tilt 4° |
| NP | ✓ | | | |
| NPF (Fixed) | | ✓ | | |
| NPM (Moving) | | | ✓ | ✓ |
| NPR (Rotating) | | | ✓ | |
| NPC (Customized) | Please contact our Sales Team | | | |

Versions & Dimensions

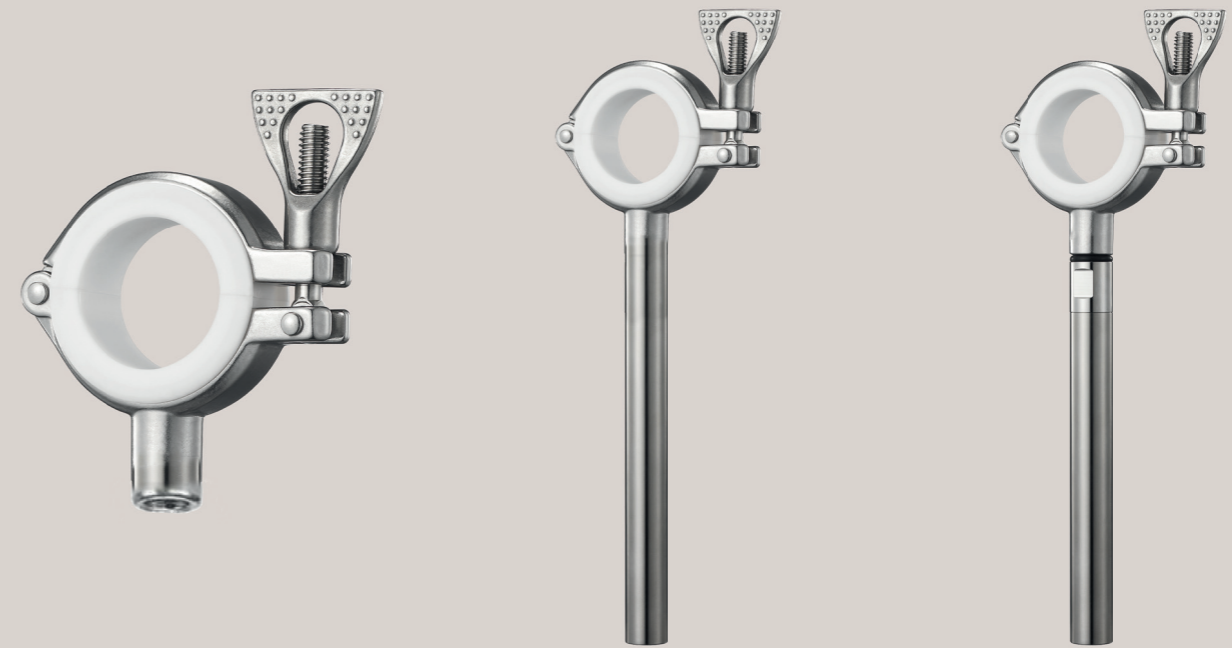
| DIN11866 Line A (DIN) | | |
|-----------------------|-------|---------|
| DN | I.D | Ø Shaft |
| 6 | 8,0 | 17 |
| 8 | 10,0 | 17 |
| 10 | 13,0 | 17 |
| 15 | 19,0 | 17 |
| 20 | 23,0 | 17 |
| 25 | 29,0 | 17 |
| 32 | 35,0 | 17 |
| 40 | 41,0 | 17 |
| 50 | 53,0 | 22 |
| 65 | 70,0 | 22 |
| 80 | 85,0 | 22 |
| 100 | 104,0 | 22 |
| 125 | 129,0 | 22 |
| 150 | 154,0 | 34 |
| 200 | 204,0 | 34 |
| | mm | mm |

| DIN11866 Line B (ISO) | | |
|-----------------------|-------|---------|
| DN | I.D | Ø Shaft |
| 6 | 10,2 | 17 |
| 8 | 13,5 | 17 |
| 10 | 17,2 | 17 |
| 15 | 21,3 | 17 |
| 20 | 26,9 | 17 |
| 25 | 33,7 | 17 |
| 32 | 42,4 | 17 |
| 40 | 48,3 | 22 |
| 50 | 60,3 | 22 |
| 65 | 76,1 | 22 |
| 80 | 88,9 | 22 |
| 100 | 114,3 | 22 |
| 125 | 139,7 | 22 |
| 150 | 168,3 | 34 |
| 200 | 219,1 | 34 |
| | mm | mm |

| DIN11866 Line C (BPE) | | |
|-----------------------|--------|---------|
| DN | I.D | Ø Shaft |
| 1/4" | 6,35 | 17 |
| 3/8" | 9,53 | 17 |
| 1/2" | 12,70 | 17 |
| 3/4" | 19,05 | 17 |
| 1" | 25,40 | 17 |
| 1 1/2" | 38,10 | 17 |
| 2" | 50,80 | 22 |
| 2 1/2" | 63,50 | 22 |
| 3" | 76,20 | 22 |
| 4" | 101,60 | 22 |
| 6" | 152,40 | 34 |
| | mm | mm |



Types - NP / NPF / NPM / NPR



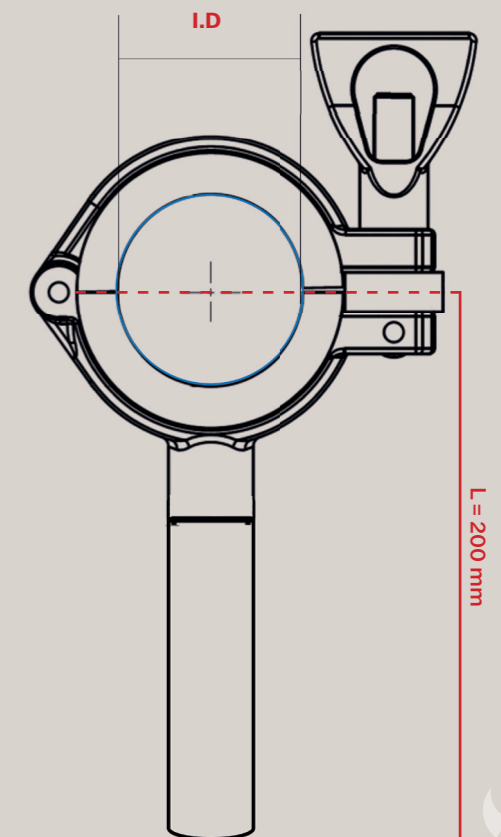
Type NP

Type NPF

Type NPM & NPR

Technical Data

| | |
|---------------------|--|
| Material | 304 Stainless Steel (standard) 316 Stainless Steel (on request) |
| Shaft | L = 200 mm (standard) Special lengths available! (on request) |
| NPM Tilt | 4° Self Adaptive in each direction |
| NPR Rotation | 360° |
| NP Thread | 3/8" (UNC ANSI B1.1) 1/2" (UNC ANSI B1.1) 3/4" (UNC ANSI B1.1) |



Self Adaptive Design

NEUMO CleanClip pipe hangers are designed to adapt flexibly to the angle of the pipe installation and ensure efficient drainage. They can be rotated 360 degrees and precisely adjusted to the desired alignment of the pipe or tube.

Various Applications

A multifunctional, adjustable and stable hanger that can be used in a wide range of applications, from infrastructure to equipment guidance systems and skids in the pharmaceutical, biotechnology and food industry.

Contact us!



+49 7043 36-0



www.neumo.de

Scan for the right contact